

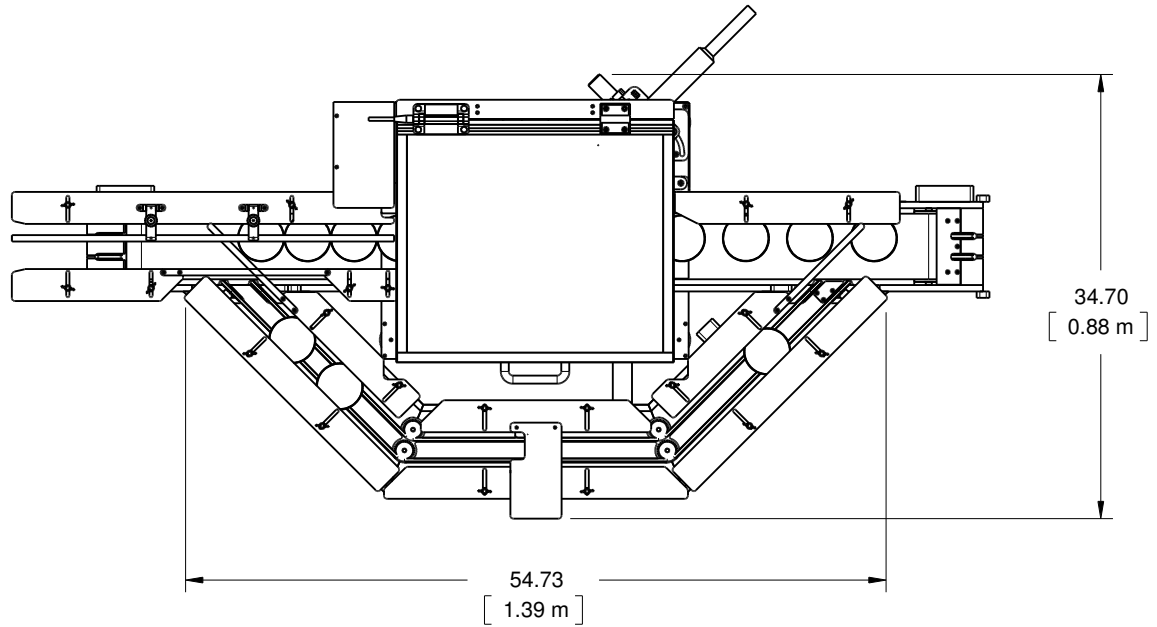
REVISIONS			
REV	DESCRIPTION	DATE	APPROVED

IQ-RPS STANDARD SPECIFICATIONS

- * UP TO 12,000 PLATES PER HOUR
- * BYPASS CONVEYOR SHOWN

IQ-RPS SERVICE REQUIREMENTS

ELECTRICAL: 120/240V AC INPUT, 5A



MODEL RPS	<i>IQ Designs</i> Manistique, MI USA			
DATE 11.03.2024				
DRAWN BY RWG	SIZE A	NAME IQ-RPS STANDARD	DWG NO. RPS-000-0001	REV -
MATERIAL XXX	SCALE 1:15	TOLERANCE X.XXX +/-0.005"	SHEET 1 OF 1	