

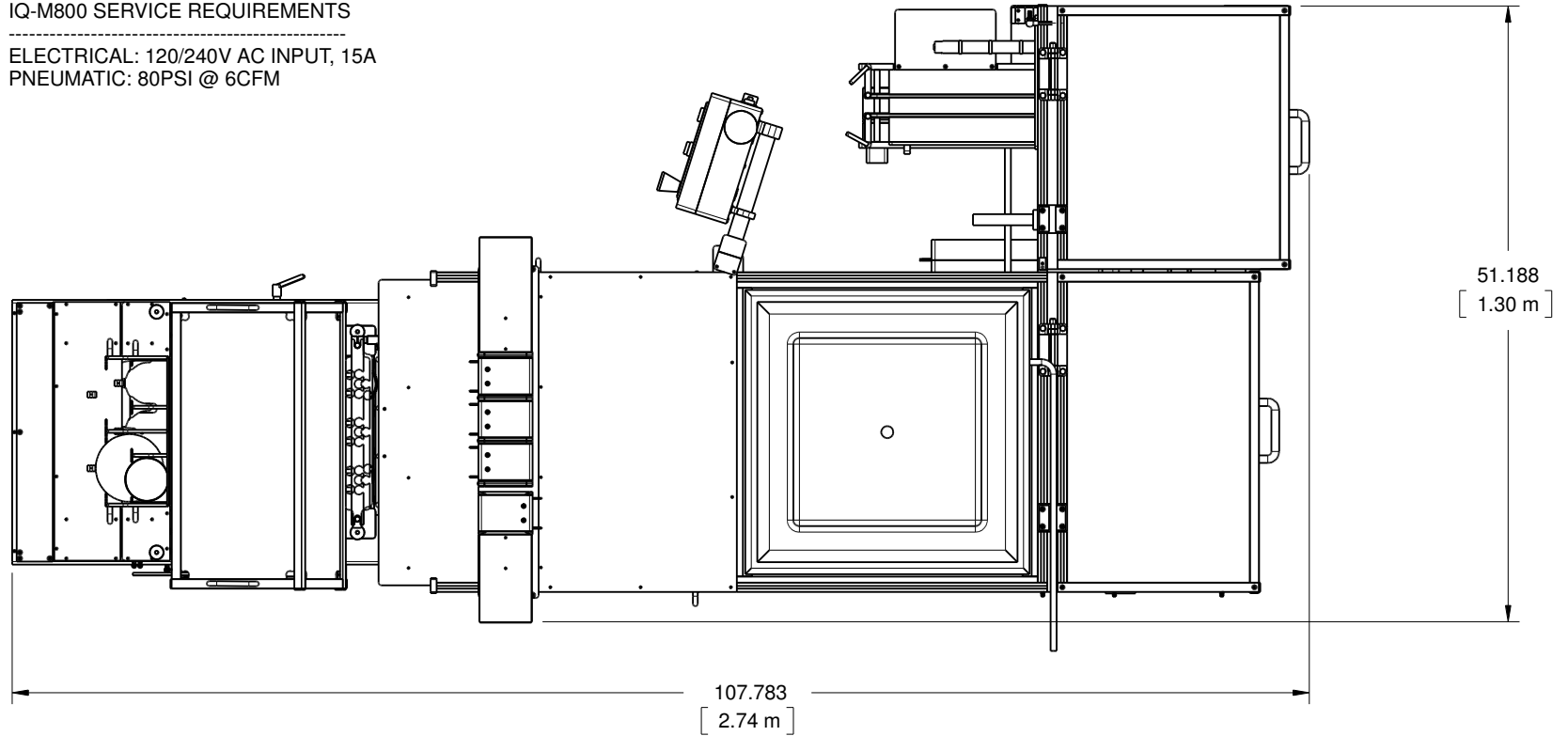
REVISIONS			
REV	DESCRIPTION	DATE	APPROVED

IQ-M800 SPECIFICATIONS

- * SHOWN IN LEFT HAND J CONFIGURATION
- * MAXIMUM 800 90MM MONO PLATES PER HOUR
- * 3 MINUTE DRY TIME

IQ-M800 SERVICE REQUIREMENTS

ELECTRICAL: 120/240V AC INPUT, 15A
 PNEUMATIC: 80PSI @ 6CFM



MODEL	<i>IQ Designs</i> Manistique, MI USA			
IQ-XXXX				
DATE	SIZE	NAME	DWG NO.	REV
02.18.2019	A	MAIN ASSEMBLY, M800 LJ	IQX-003-0007	-
DRAWN BY RWG	SCALE	TOLERANCE	SHEET	
XXX	1:15	X.XXX +/-0.005"	1 OF 1	