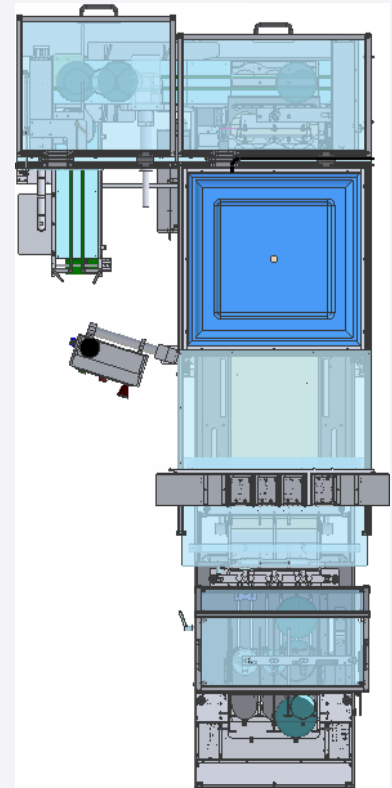


IQ-M800 PETRI DISH FILLING MACHINE



MACHINE DESCRIPTION

The IQ Designs M800 Petri Dish Filling Machine is for any prepared media producer who wants to maximize productivity in their clean room space. This design has a constant production rate of up to 800 plates filled per hour. It can meet, and exceed, quotas while driving down production costs. Its efficient design fills and dries all standard petri dish types. Because the IQ-M800 series was designed for high dish density it allows floor space savings of up to 50% compared to other manufacturers!



MACHINE SPECS

- Aluminum/Stainless steel construction
- 100% lids-off drying
- Adjustable dry-time
- Meniscus generation
- Touch panel user interface
- Housed in a HEPA-filtered mini environment

ABOUT US

IQ Designs, Inc. develops and produces filling and other machinery for the medical diagnostics and pharma industries. Our high-quality products are engineered and built to be easily operated and maintained by your personnel. Our products often take up less than half the footprint of the competition, providing huge savings in cleanroom expenses alone.

IQ-M800 PETRI DISH FILLING SYSTEM

MACHINE SPEED IN UNITS PER HOUR

Model	Length	55mm	Contact	90mm	120mm Square	150mm
M800	2.6m	800	800	800	400	300

SERVICE REQUIREMENTS: 120/240 VAC, 50/60 HZ; 80 PSI CLEAN NON-LUBRICATED COMPRESSED AIR

STANDARD FEATURES

- 90mm mono production capabilities
- Easily upgraded for filling other dish types including 55mm, contact, and 90mm bi-plate
- Easy loading of petri dishes
- Meniscus generation for smooth and level media production
- Additive peristaltic pump
- Automatic pump calibration function
- Automatic belt tracking
- HEPA drying tunnel
- CE marked
- Passive bottom print station ready for printer
- Lighted inspection station
- Custom output configurations to fit your clean room
- Siemens PLC & touchscreen controls
- Lane disable function
- Dish status tracking
- Designed & manufactured in the USA
- Around-the-clock customer support
- IQ/OQ documentation included

OPTIONS AND UPGRADES

- Nozzle heater
- Rotary edge printing
- Edge labeling
- Packaging machine integration (see the IQ-FLO Flow Wrapping Machine)
- Custom design