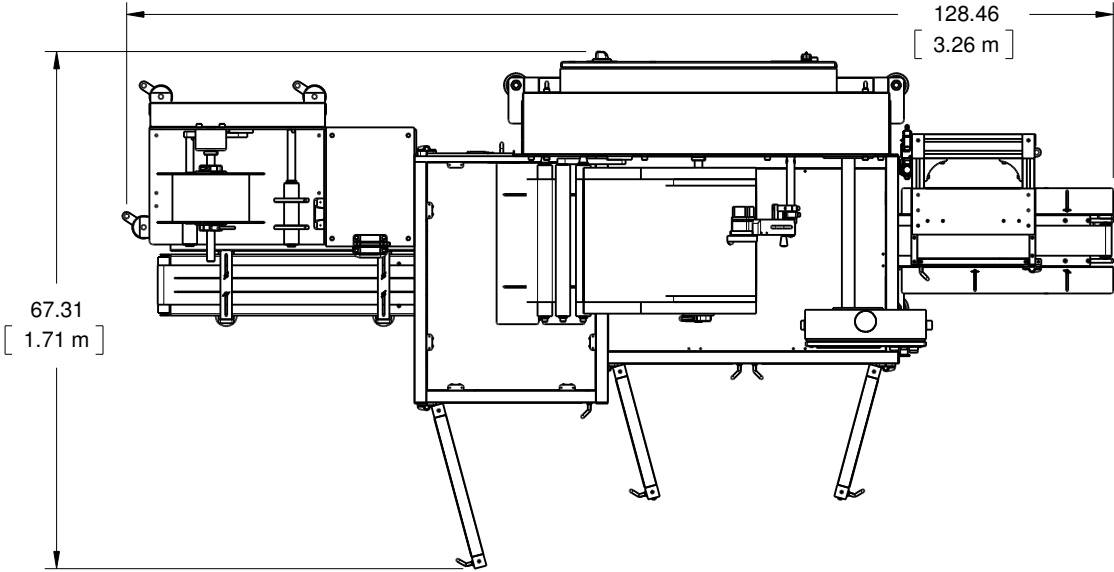


REVISIONS			
REV	DESCRIPTION	DATE	APPROVED

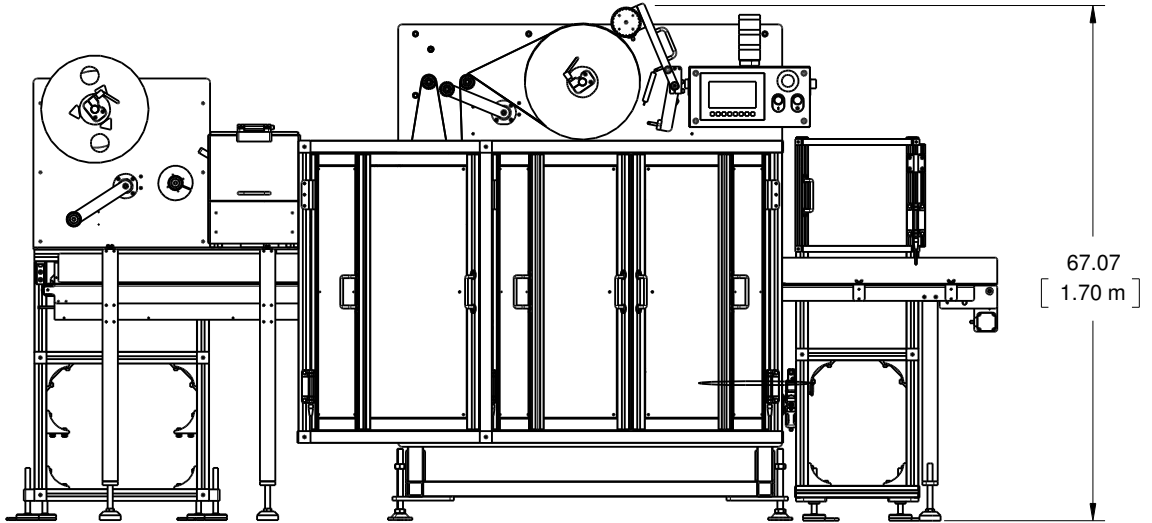


IQ-FLO SPECIFICATIONS

- * SHOWN IN 2X5 PACKAGE CONFIGURATION
- * SHOWN WITH OPTIONAL DESICCANT INSERTION MODULE
- * SHOWN WITH OPTIONAL IRRADIATION STICKER MODULE

IQ-FLO SERVICE REQUIREMENTS

ELECTRICAL: 240V AC INPUT, 15A
 PNEUMATIC: 80PSI @ 6CFM



MODEL FLO	<i>IQ Designs</i> Manistique, MI USA			
DATE 11.03.2024				
DRAWN BY RWG	SIZE A	NAME MAIN ASSEMBLY, FLO, 2x5	DWG NO. FLO-000-0029	REV -
MATERIAL XXX	SCALE 1:25	TOLERANCE X.XXX +/-0.005"	SHEET 1 OF 1	