



## AUTOMATION FOR THE DIAGNOSTICS INDUSTRY

- FILLING SYSTEMS FOR PETRI DISHES, TUBES & BOTTLES
- MEDIA PREPARATION & STERILIZATION
- PACKAGING SYSTEMS
- COMPLETE DIAGNOSTICS PRODUCTION SYSTEMS

PO Box 311 / 462N Klagstad Road Manistique, MI 49854, USA Phone: (906) 341-1040 [www.iqdesignsusa.com](http://www.iqdesignsusa.com)

# IQ-RPS Rotary Edge Printer

The IQ-RPS Rotary Edge Printer by IQ Designs, Inc. is a great add-on for petri dish filling machines or as a standalone product. When printing on the bottom of a dish is not desired or allowed this unit will allow printing nearly 360 degrees around the edge of a dish. Print on the edges of 55mm, contact, 90mm, and 150mm dishes as well as other similar sizes. Depending on the model the maximum speed ranges from 2,000 dishes per hour to over 12,000 dishes per hour.

### System Highlights

- Fit inline on an existing conveyor system
- Small assembly size

### Standard Features

- Print 90mm diameter family dishes
- Designed & manufactured in the USA
- Around the clock customer support
- IQ/OQ documentation included
- CE marked

### Upgrades Available

- Print contact, 55mm, and other diameter dishes
- Integration with petri dish filling machine
- Bypass conveyor for incompatible dishes

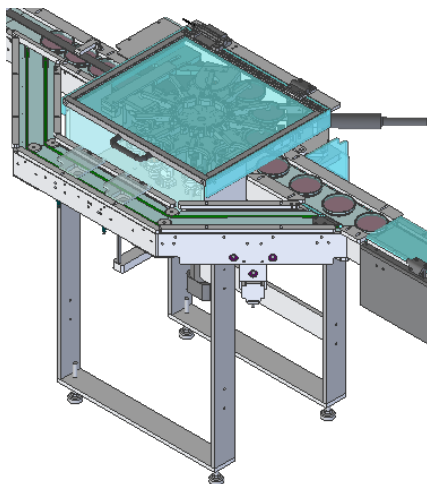
**Style shown: HSL in-line with bypass**

**Dish type: 90mm**

**Print Length: 270 degrees**

**Speed: 12,000 printed per hour**

**Footprint: 0.8m x 1.3m**



**Style shown: Standalone**

**Dish type: 90mm**

**Print Length: 360 degrees**

**Speed: 2,000 printed per hour**

**Footprint: 0.4m x 1.2m**

